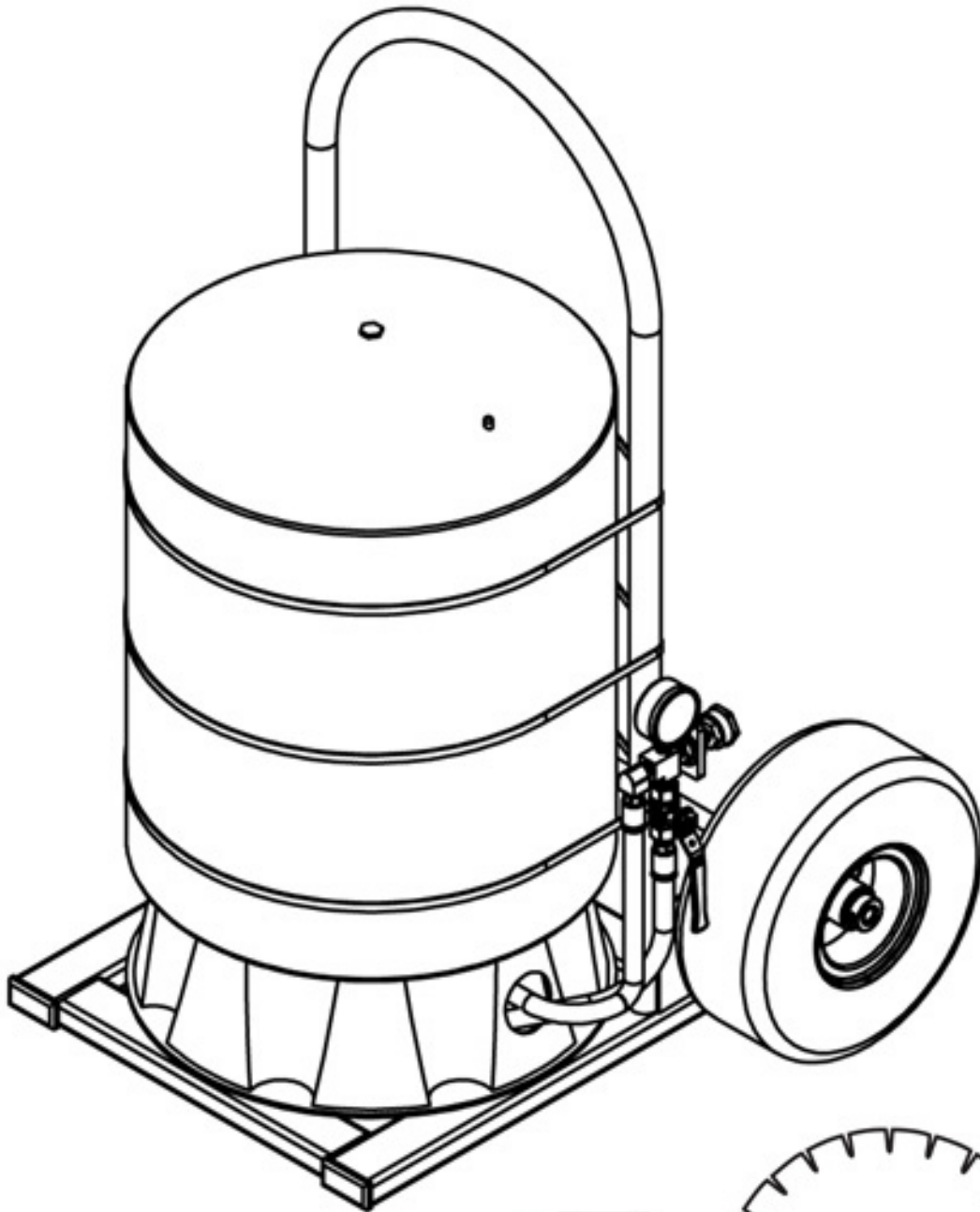


# **19 GALLON PORTABLE WATER TANK OPERATOR MANUAL & BREAKDOWN**



TOLL FREE: 1-855-472-2237 LOCAL: 480-967-2545 FAX: 480-967-2748

# **TABLE OF CONTENTS**

---

<b>INTRODUCTION .....</b>	<b>2</b>
<b>SAFETY INSTRUCTIONS.....</b>	<b>2-3</b>
<b>ASSEMBLY.....</b>	<b>4</b>
<b>ASSEMBLY DRAWING.....</b>	<b>5</b>
<b>PLUMBING ASSEMBLY DRAWING.....</b>	<b>6</b>
<b>ASSEMBLY BREAKDOWN.....</b>	<b>7</b>
<b>OPERATION.....</b>	<b>8</b>
<b>MAINTENANCE.....</b>	<b>9</b>
<b>TROUBLE SHOOTING.....</b>	<b>10</b>

## **THANK YOU**

---

*From all of the Grabber Power staff, we would like to say thank you for choosing our 19 gallon portable water tank. We hope we can continue serving you and your business needs and we look forward to working with you for years to come!*

# ***INTRODUCTION***

---

Congratulations on your purchase of a Grabber Power Products 19 gallon portable water tank. With proper care it will give you many years of service. Always follow instructions and warnings. Keep this manual for reference.

# ***SAFETY INSTRUCTION***

---

## **⚠ WARNING**

Hazardous Pressure! Risk of explosion and severe injury if equipment is misused.

- Never put more than 100 PSI into the tank.
- Prior to any maintenance, bleed out any pressure that may be present in the tank.

## **⚠ WARNING**

Install relief valve between pump or water supply and tank. Relief valve must relieve entire pump output at 100 PSI.

- Consult pump maker for output information.
- Do not allow pump or tank to freeze.
- Relief valve should be tested annually.

## **WARNING**

Explosion hazard. If tank or hoses become damaged, the tank and hoses may not hold the full max 100 PSI and should be replaced immediately.

Make sure warning labels on product are legible.

- If labels become stained, abraded, or otherwise illegible, replace promptly. Contact Grabber Power Products at 480-967-2545 for replacement labels.

## **WARNING**

Read and understand the owners manual before operating the 19 gallon portable water tank. Never let anyone operate this unit if they have not read and understood this manual.

- Call Grabber Power Products if there is something you do not understand in this manual at 480-967-2545.
- Never use the 19 gallon portable water tank for anything other than it's intended use.

## **WARNING**

The 19 gallon accumulator tank is designed for operation on a cold well water system limited to a working pressure of 100 PSI. A 100 PSI safety valve must be installed. Failure to follow these rules may result in the tank exploding and possible bodily damage.

# ASSEMBLY

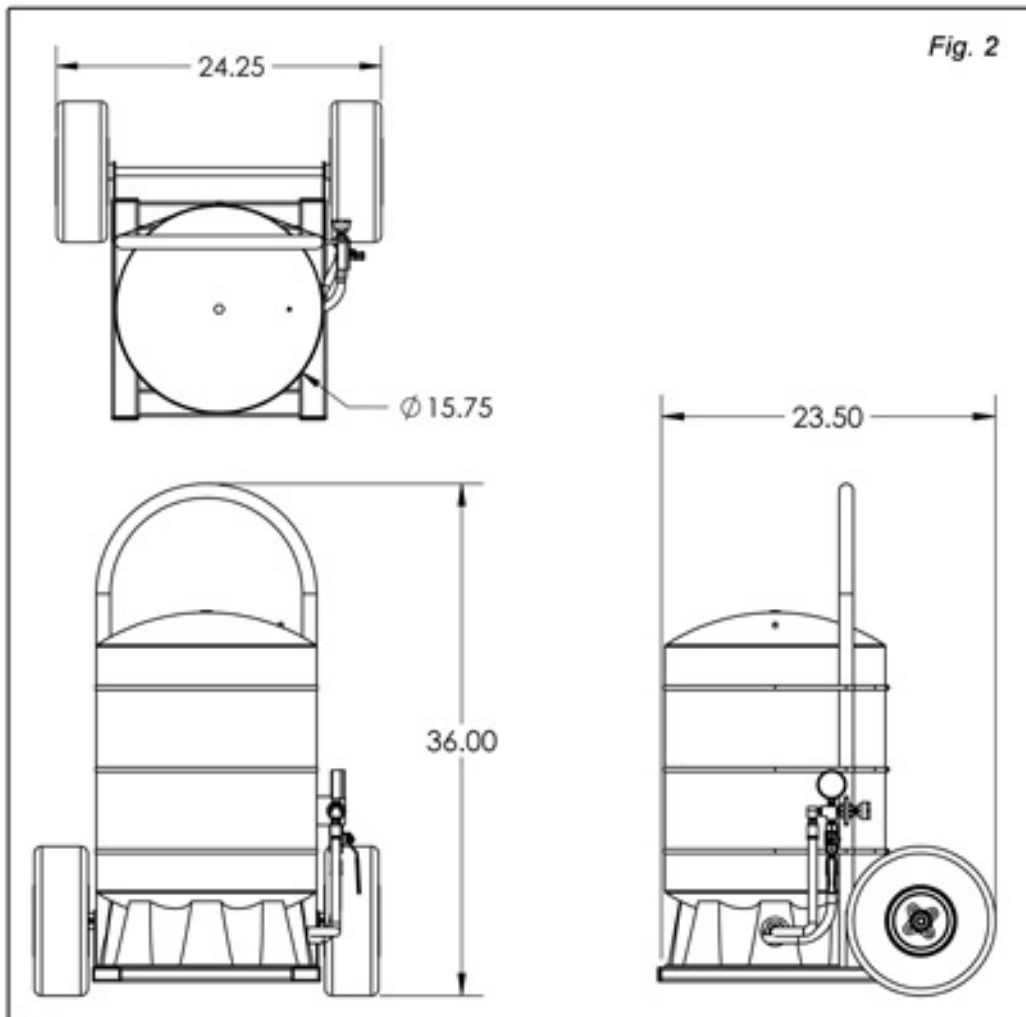
The 19 gallon portable water tank comes pre-assembled. See page 5-6 for assembly diagram and parts breakdown.



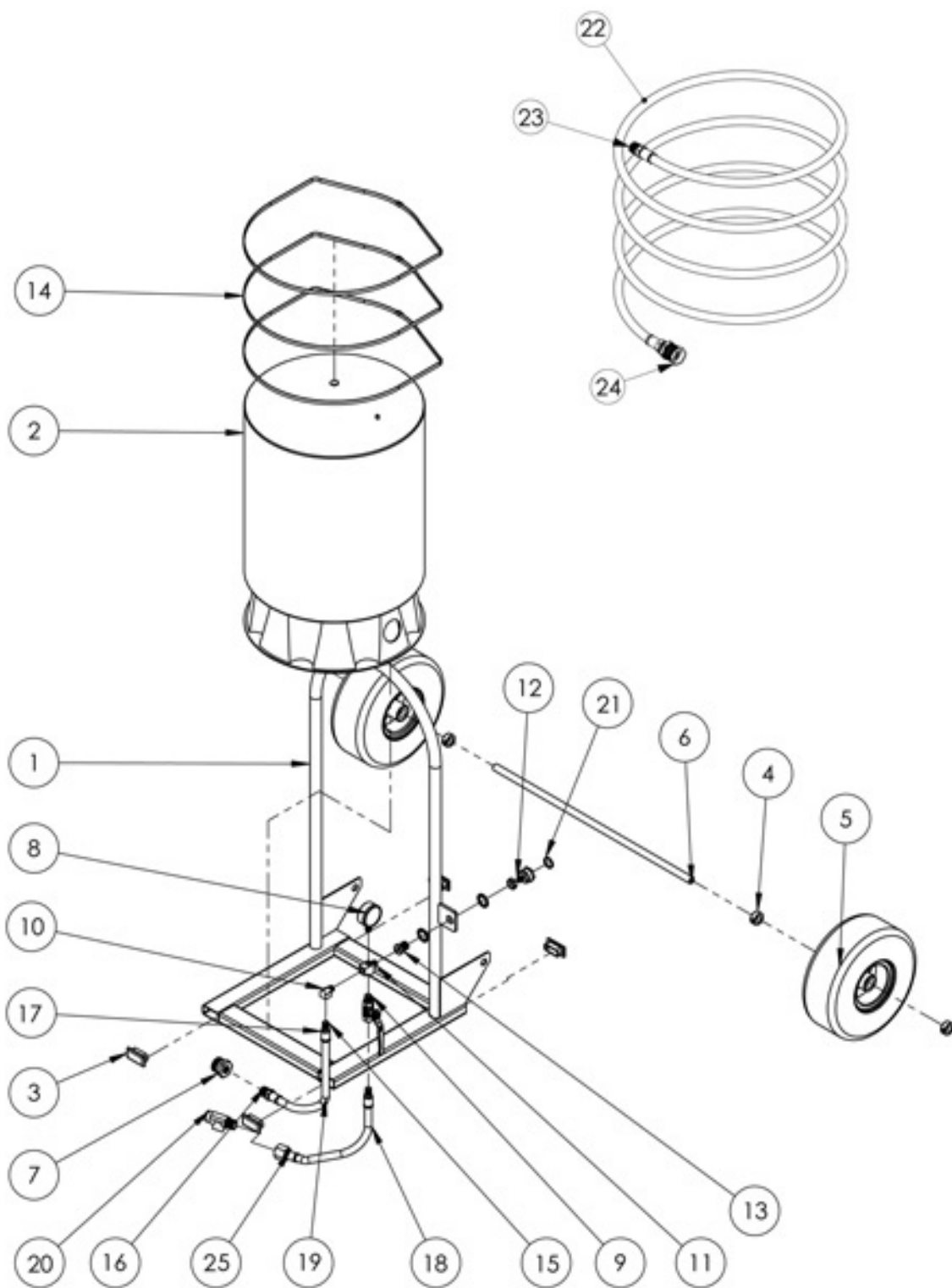
**IF ANY ITEMS ARE MISSING OR DAMAGED, DO NOT INSTALL OR OPERATE THE UNIT. CALL GRABBER POWER PRODUCTS IMMEDIATELY AT 480-967-2545.**

## TANK SIZE AND DIMENSIONS.

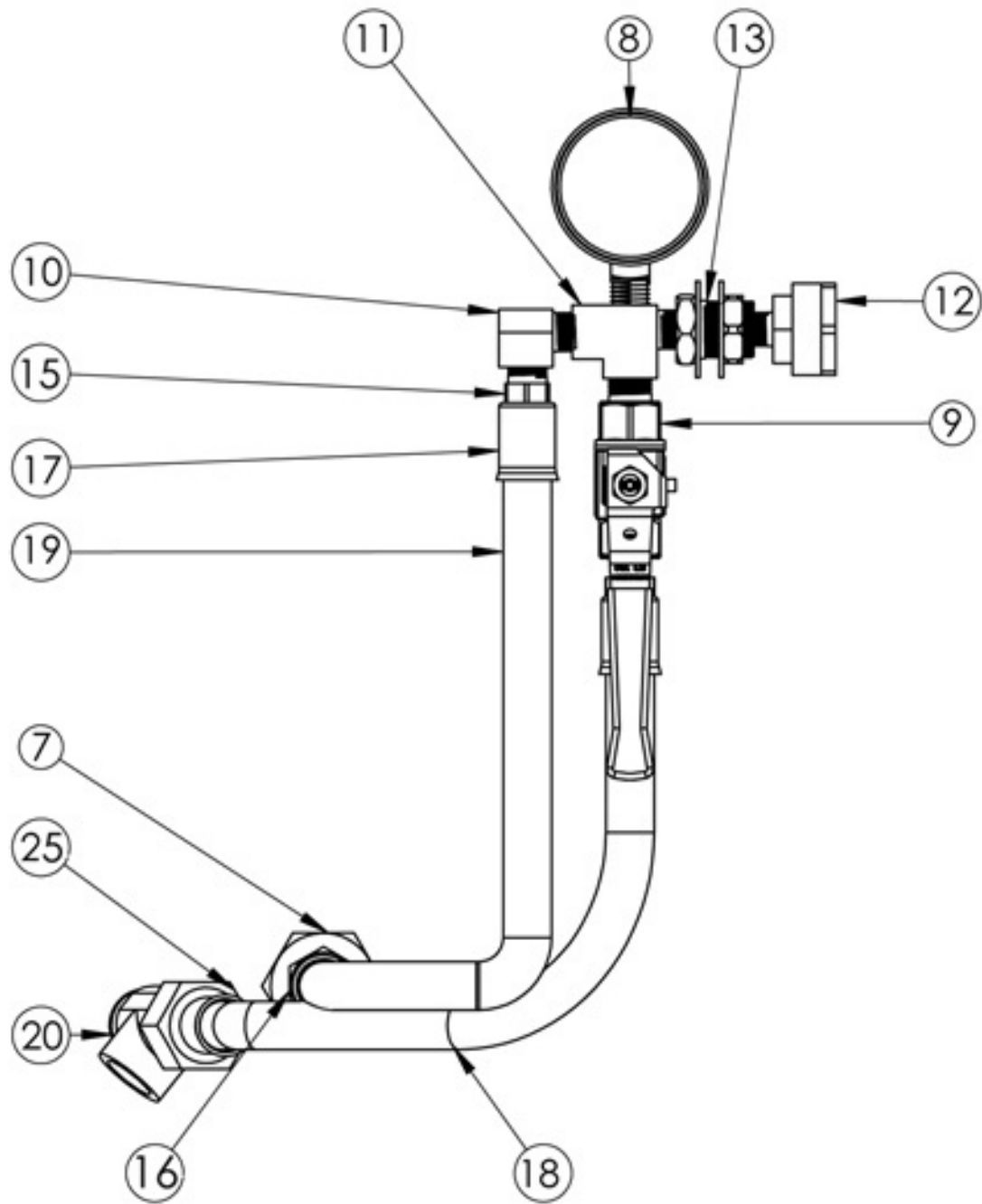
See Figure 2 for dimensions.



# ASSEMBLY DRAWING



# PLUMBING ASSEMBLY DRAWING



# ASSEMBLY BREAKDOWN

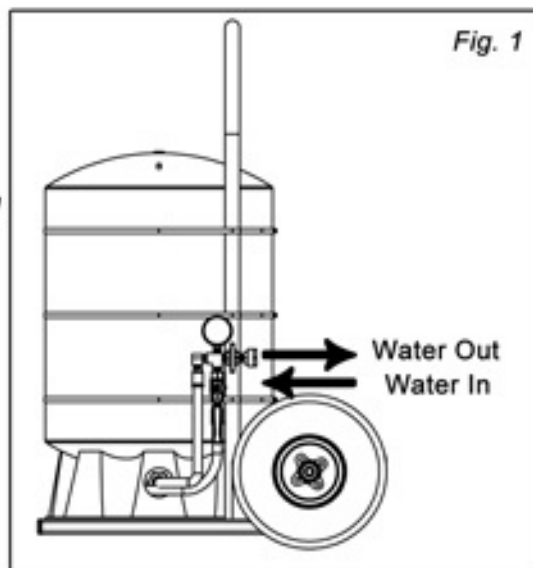
ITEM NO.	PART NUMBER	DESCRIPTION	QTY.
1	PSF20	FRAME, 19 GALLON PORTABLE WATER TANK	1
2	PSP19T-T02	TANK, 19 GALLON WATER TANK	1
3	WVC31	END CAP	4
4	WVSC	5/8" LOCK COLLAR	4
5	WVC115	LARGE CASTER WHEELS	2
6	PSA22	AXLE, PORTABLE WATER TANK	1
7	TP301010112	1" X 1/2" STEEL BUSHING	1
8	G251001	GAUGE, 100 PSI PRESSURE	1
9	ALT7080101	1/4" M-F BALL VALVE	1
10	ALT3400X4	ELBOW, 1/4" 90 STREET	1
11	GPPCOUP	COUPLER, 1/4" 4 WAY	1
12	ALTGHFX4MPT	GARDERN HOSE FEMALE X 1/4" MPT	1
13	FL150292	1/4" PIPE BULKHEAD FITTING	1
14	CLAMP272	CLAMP, HOSE PORTABLE WATER TANK	3
15	ALT06B104	BARB 3/8" X 1/4" MPT	2
16	ALT06B108	BARB 3/8" X 1/2" MPT	1
17	ALT7329	FERRULE, .690"	6
18	HOSE 3/8	12" OF 3/8" 300 PSI HOSE	1
19	HOSE 3/8	10" OF 3/8" 300 PSI HOSE	1
20	PVR-0303	RELIEF VALVE, PORTABLE WATER TANK	1
21	ALTGHTW	GARDEN HOSE WASHER	3
22	HOSE 3/8	15' OF 3/8" 300 PSI HOSE	1
23	ALT06BGHM	BARB 3/8" X GARDEN HOSE MALE	2
24	ALTGHFXGHF	GARDEN HOSE FEMALE TO FEMALE	1
25	ALT06B208	BARB 3/8" X 1/2" FPT	1



# OPERATION

## Hooking up the water supply.

1. From your water supply, attach your water hose to the female garden hose barb at the side of the accumulator tank (Fig. 1).
2. Once you have your water supply connected, make sure the ball valve is open (*the handle should be pointing down*)
3. Turn your water supply on. When the water starts to bleed from the relief valve, the tank is full. You can close the ball valve and shut your water supply off.



## Operating the unit.

1. Attach the 15' of 3/8" hose to the female garden hose barb on the side of the accumulator tank.
2. Connect the other end of the 15' of hose to the equipment you wish to supply water to.
3. Open the ball valve until desired water flow is reached.

## When not in operation.

1. If in a location where freezing temperatures are present, make sure to completely drain all of the water from the accumulator tank and or water supply before storing.
2. If not in freezing temperatures, it is still recommended to completely drain the tank if the unit is not going to be in use for a prolonged period of time.

# **MAINTENANCE**

---

The 19 gallon portable water tank requires little maintenance. To prolong the life of the product, please follow these simple instructions.

1. If in a location where freezing temperatures are present, make sure to always completely drain your unit. Failure to do so may cause damage to the water tank and bladder.
2. When not in use, clean the unit with a soft brush to remove any debris that may damage the unit.
3. Be sure to check the 19 gallon portable water tank for leaks. Leaks may result in the unit not working properly.
4. Always make sure that the relief valve is clean and working properly.
5. When not in use, make sure to drain any and all water from the accumulator tank.
6. Inspect the hoses and the accumulator tank for any damage. Damage to the hoses and/or the tank may result in injury and the unit not working properly.
7. Make sure that the hose clamps are snug and that the accumulator tank is secure.

**FAILURE TO FOLLOW THESE INSTRUCTIONS MAY RESULT IN POOR LIFE OF THE 19 GALLON PORTABLE WATER TANK.**

# TROUBLE SHOOTING

PROBLEM	POSSIBLE CAUSE	SOLUTION
THE ACCUMULATOR TANK WILL NOT FILL UP WITH WATER.	THE BALL VALVE IS CLOSED AND WILL NOT LET WATER INTO THE TANK.	OPEN THE BALL VALVE.
THE ACCUMULATOR TANK IS NOT ABLE TO HOLD MORE THEN A FEW GALLONS OF WATER.	THERE IS TOO MUCH PSI IN TANK.	BLEED THE PSI FROM THE VALVE AT THE TOP OF THE TANK. OPTIMUM PRESSURE SHOULD BE AROUND 20 PSI.
THE PRESSURE GAUGE DOES NOT SEEM TO BE SHOWING ANY PRESSURE.	THE BALL VALVE IS CLOSED OR THE PRESSURE GAUGE IS DAMAGED.	DOUBLE CHECK THE BALL VALVE IS OPEN AND CONFIRM THE ACCUMULATOR TANK IS BUILDING PRESSURE.

FOR ANY OTHER PROBLEMS, OR IF RECOMMENDED SOLUTION DOES NOT SOLVE THE PROBLEM, CONTACT GRABBER POWER PRODUCTS AT 480-967-2545

# SPECIFICATIONS

## ACCUMULATOR TANK:

- > 19 gallon water capacity
- > 100 max PSI
- > 16" diameter tank

DRAWNDOWN - GALLONS (LITERS)		
20-40 PSI (138-276 kPa)	30-50 PSI (207-345 kPa)	40-60 PSI (276-414 kPa)
6.9 (26.1)	5.8 (22.0)	5.0 (18.9)

**TOLL FREE: 1-855-472-2237    LOCAL: 480-967-2545    FAX: 480-967-2748**  
**226 SOUTH PRICE ROAD**  
**TEMPE, AZ 85281**